

AP-3500 Series

Multiple HDMI Outputs Office Grade Thin Clients

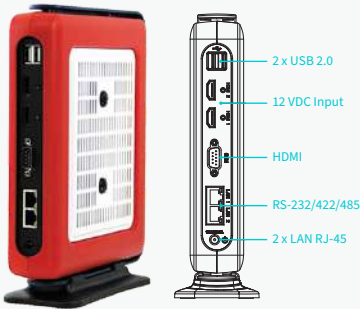
AP -3500-E01



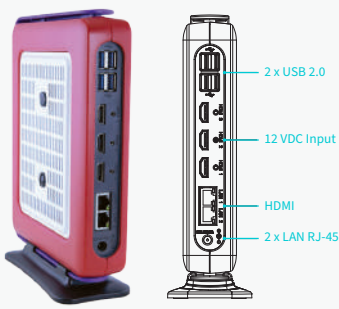
AP -3500-H01



AP-3500-E01



AP-3500-H01



AP-3500 Series

Multiple HDMI Outputs Office Grade Thin Clients

Features

- Intel E3845 1.91GHz ATOM CPU (E01)
- Intel 6th Gen i7/i5 CPU (H01)
- Up to 4GB DDR3 SO-DIMM Memory (E01)/
Up to 32GB DDR4 SO-DIMM Memory (H01)
- Dual Gigabit LAN
- SATA DOM for Storage Option
- Mini PCIe Expansion Slot
- ThinManager Ready, PXE Boot
- Desktop or VESA Mount Available

Specifications

Model Name	AP-3500-E01	AP-3500-H01
System		
CPU	Intel E3845 1.91GHz ATOM CPU	2.6/3.4 GHz i7-6600U, 2.4/3.0 GHz i5-6300U, 1.6 GHz Celeron-3855U
Chipset	(By CPU)	(By CPU)
Memory	Up to 4GB DDR3 SO-DIMM	Up to 32GB DDR4 SO-DIMM
Video Controller	Intel Gen7 Intel Graphics DX 11, OGL3.2	Intel HD Graphics 520
Video Interface	Dual HDMI	3 x HDMI Ports *Support 1 x 4K/30
Storage Option	SATA DOM, 2.5" HDD, 2.5" SSD	SATA DOM, 2.5" HDD, 2.5" SSD, CFast Card
Compact Flash	N/A	Optional
Keyboard/Mouse	USB	USB
Audio	Mic In, Line Out	Mic In, Line Out
Watchdog Timer	N/A	Yes
Remote Boot	ThinManager Ready, PXE	ThinManager Ready, PXE
Expansion Slot	Mini PCIe x2	Mini PCIe x1
I/O Communication		
USB Port	4 x USB 3.0	6 x USB (4x USB 3.0, 2 x USB 2.0)
Serial Port	1 x RS-232/422/485	N/A
IEEE 1394	N/A	N/A
LAN	2 x Gigabit	2 x Gigabit
Parallel	N/A	N/A
GPIO	N/A	N/A
OS Support		
OS Support	Windows 7 & up	Windows 10
Power/Thermal Specs.		
Power Requirement (Max)	12VDC / 1.05A	12VDC / 1.75A
Power Consumption (Max)	13 W	21 W
Recommended Power Supply	18 W	30 W
Heat Dissipation	43 BTU/Hr	72 BTU/Hr
Physical Information		
Mounting	Desktop, VESA Mount option	Desktop, VESA Mount option
Net Weight	2.75Lbs / 1.2 Kg	3Lbs / 1.36 Kg
Dimension (W x H x D)	2.80 x 9.30 x 7.17 inch 70.5 x 236.5 x 182.0 mm	2.77 x 9.31 x 7.14 inch 70.5 x 236.5 x 181.0 mm
Environmental		
Operating Temperature	0~35°C (32~95°F)	0~35°C (32~95°F)
Storage Temperature	-20~60°C (-4~140°F)	-20~60°C (-4~140°F)
Relative Humidity	10% to 95% (non-condensing)	10% to 95%
IP/NEMA Rating	N/A	N/A
Certification	FCC, CE, UL 60950-1	FCC, CE, UL 60950-1

Ordering Information

AP-3500-E01		
Ordering Information	AP-3500-E01-003	AP-3500-E01-P03
CPU	E3845 ATOM CPU	E3845 ATOM CPU
Memory	4GB DDR3	4GB DDR3
Storage	N/A	N/A
Remote Boot	ThinManager	PXE
Power Supply	Ready110/220VAC Input	Ready110/220VAC Input
Operating System	N/A	N/A

AP-3500-H01				
Ordering Information	AP-3500-H01-003	AP-3500-H01-P03	AP-3500-H01-011-500	AP-3500-H01-011-700
CPU	Celeron 3855U	Celeron 3855U	i5-6300U	i7-6600U
Memory	4GB DDR4	4GB DDR4	32GB DDR4	32GB DDR4
Storage	N/A	N/A	2.5" HDD	2.5" HDD
Remote Boot	ThinManager	PXE	N/A	N/A
Power Supply	110/220VAC Input	110/220VAC Input	110/220VAC Input	110/220VAC Input
Operating System	N/A	N/A	Option	Option

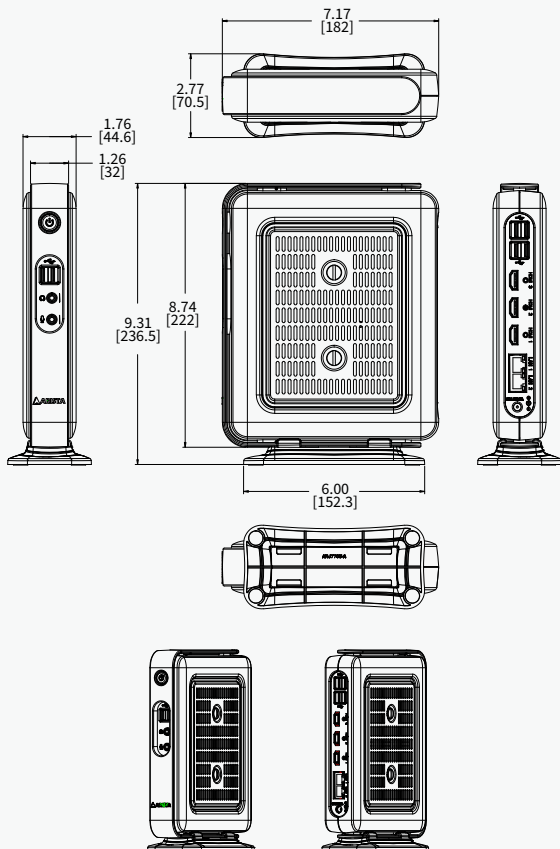
VESE Mount Bracket

AP-3500 Series



Dimension Drawing

Model Name : AP-3500 Series
Size Unit : inch(mm)



VESE Mount Bracket (optional)
Size Unit : mm

